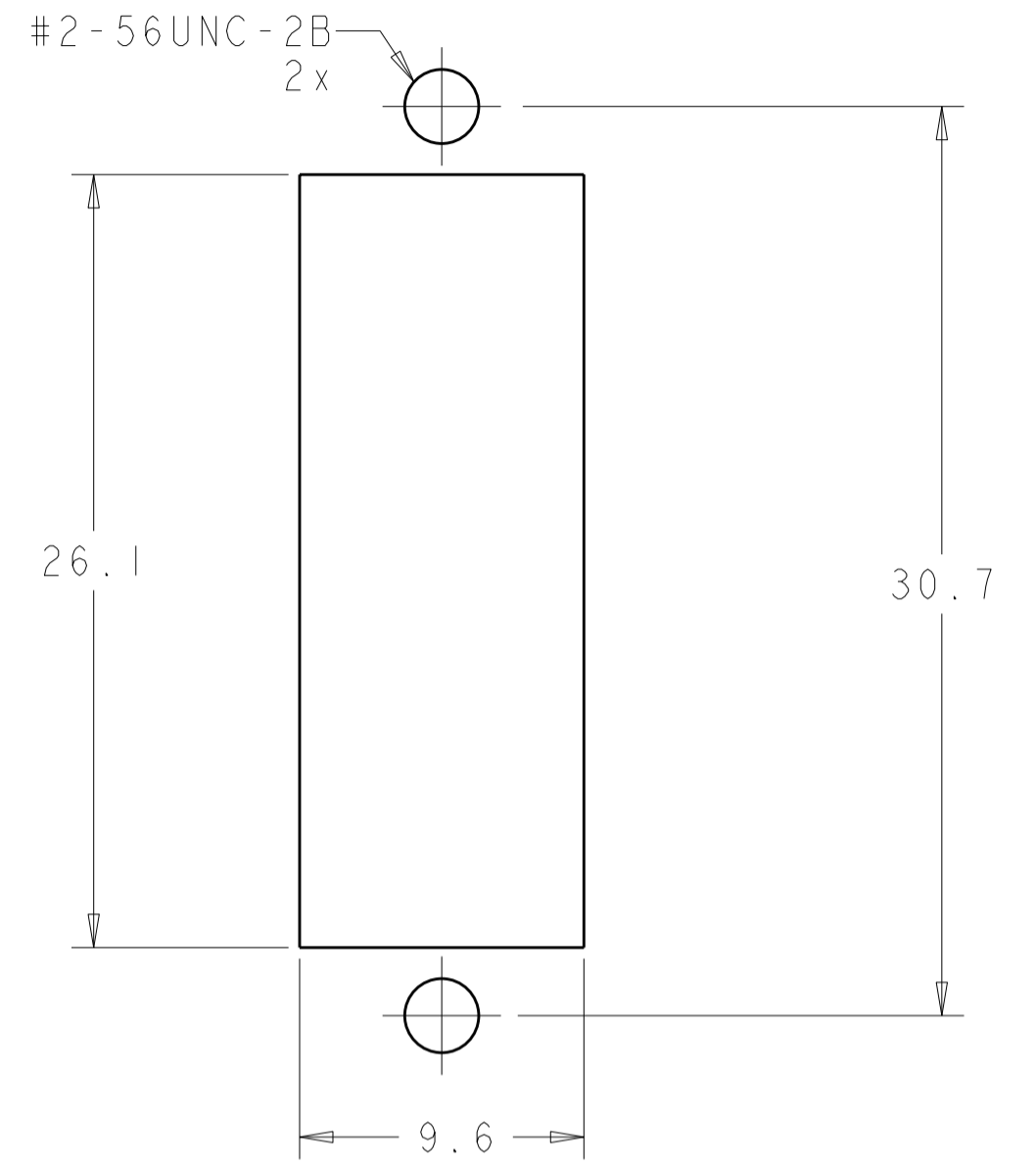
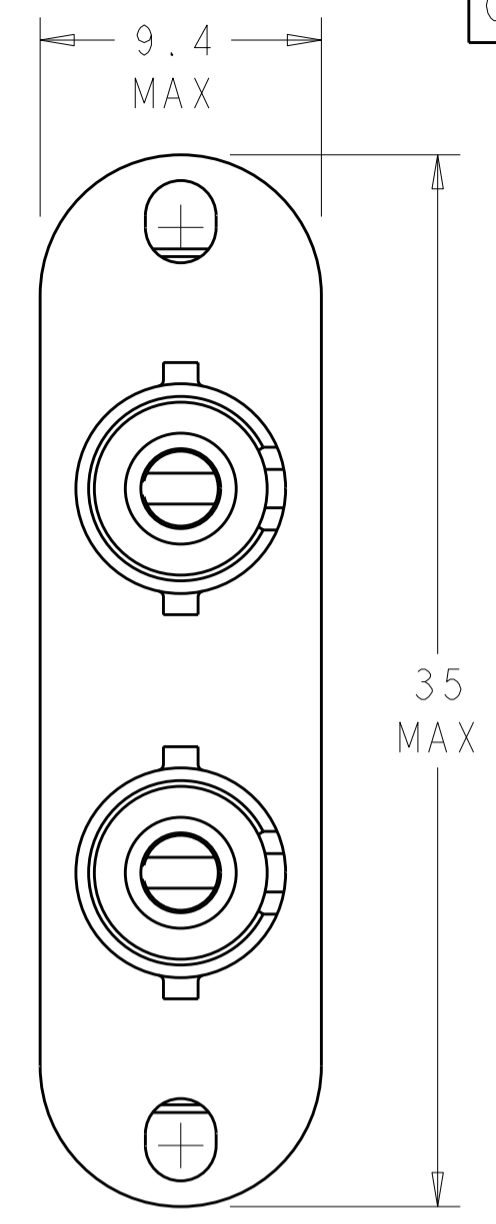
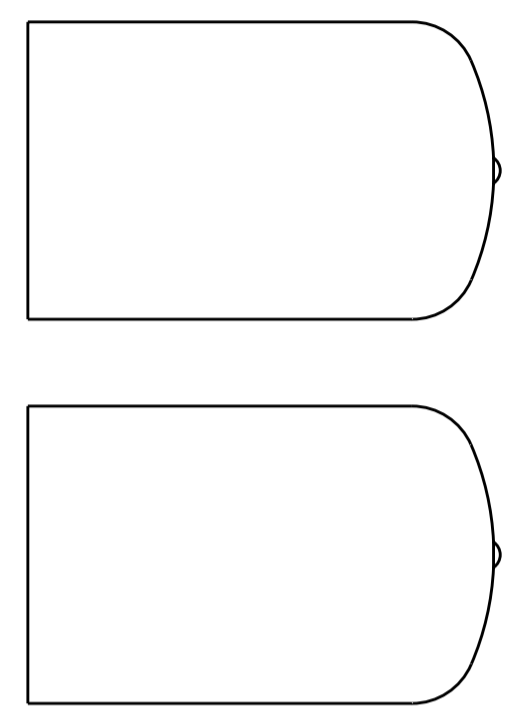
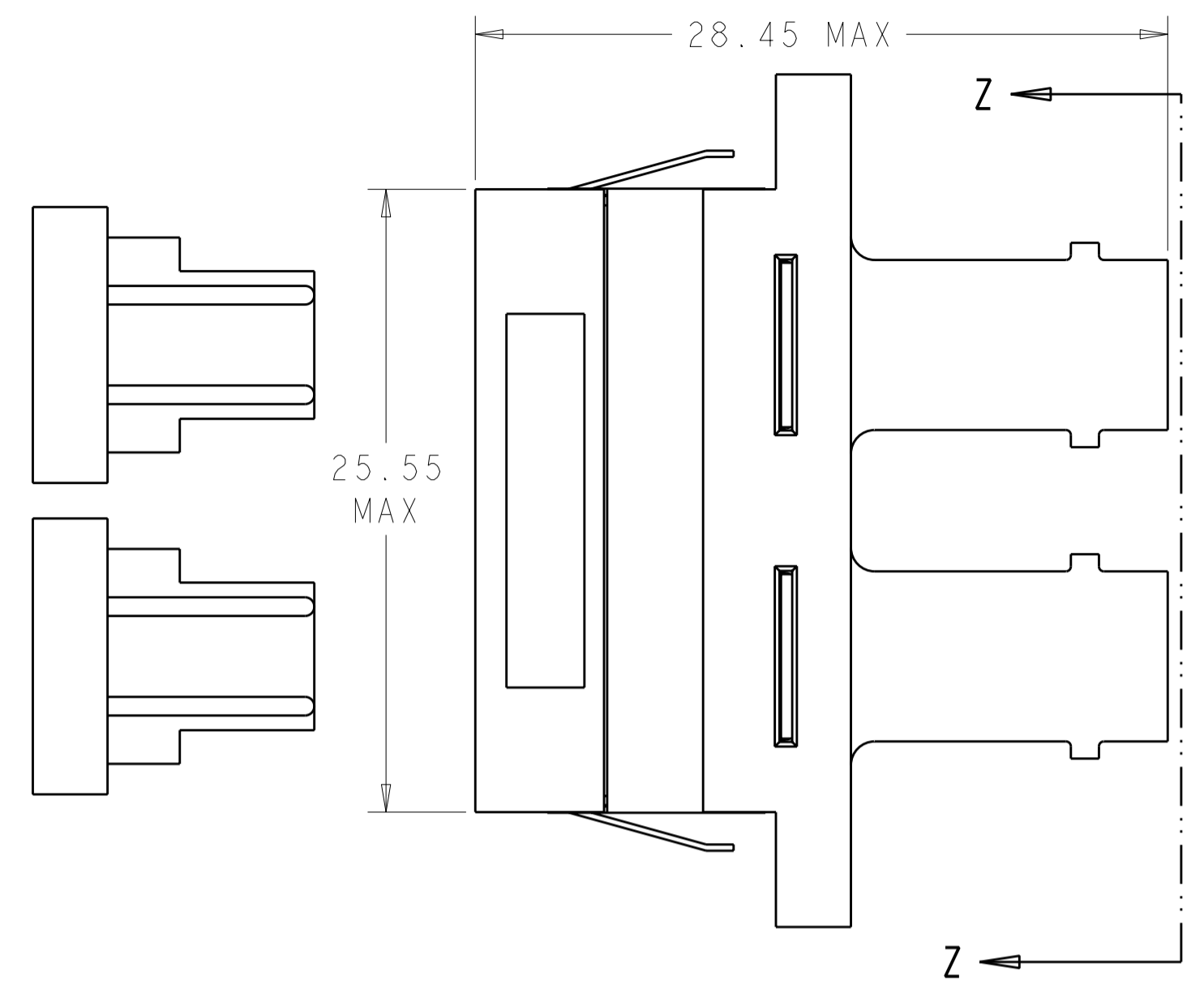
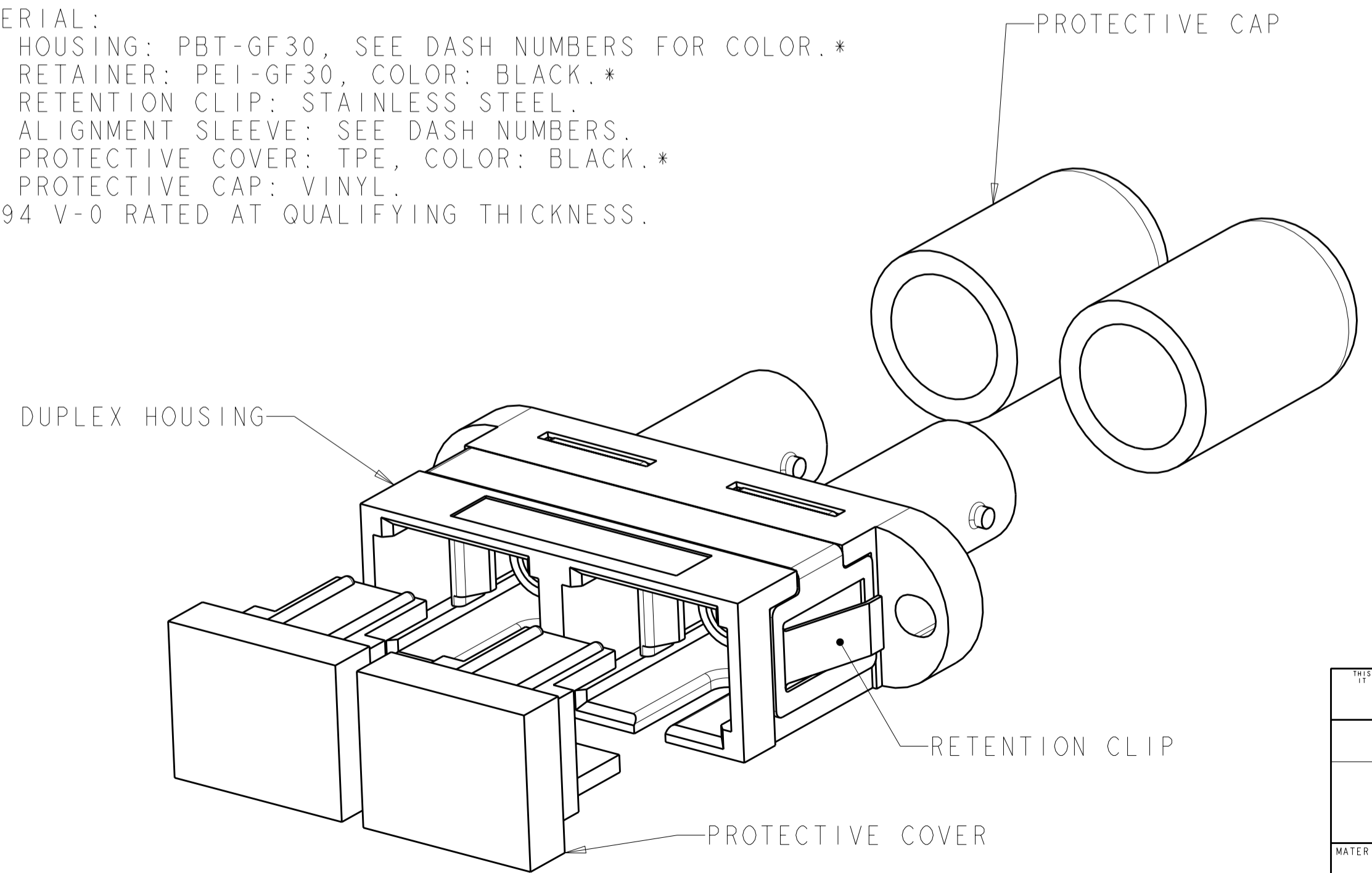


THIS DRAWING IS UNPUBLISHED. RELEASED FOR PUBLICATION 20  
 © COPYRIGHT 20 BY TYCO ELECTRONICS CORPORATION. ALL RIGHTS RESERVED.

LOC	DIST	REVISIONS			
P	LTR	DESCRIPTION	DATE	DWN	APVD
CE	00				
A		REVISE PER ECR-05-018829	10JAN2006	BB	SB
B		REVISE PER ECR-06-021475	07SEPT2006	BB	SM
C		REVISE PER ECR-07-014489	16JUL2007	BB	SM
D		REVISE PER ECR-08-000844	23JAN2008	BB	SM



**MATERIAL:**  
 HOUSING: PBT-GF30, SEE DASH NUMBERS FOR COLOR.\*  
 RETAINER: PEI-GF30, COLOR: BLACK.\*  
 RETENTION CLIP: STAINLESS STEEL.  
 ALIGNMENT SLEEVE: SEE DASH NUMBERS.  
 PROTECTIVE COVER: TPE, COLOR: BLACK.\*  
 PROTECTIVE CAP: VINYL.  
 \*UL94 V-0 RATED AT QUALIFYING THICKNESS.



RETENTION CLIP	METAL	AQUA	2-5503137-1
RETENTION CLIP	CERAMIC	AQUA	1-5503137-9
NONE	METAL	BLACK	1-5503137-7
NONE	CERAMIC	LT ALMOND	1-5503137-5
RETENTION CLIP	CERAMIC	BEIGE	5503137-6
RETENTION CLIP	CERAMIC	BLUE	5503137-5
RETENTION CLIP	CERAMIC	BLACK	5503137-4
RETENTION CLIP	METAL	BEIGE	5503137-3
RETENTION CLIP	METAL	BLUE	5503137-2
RETENTION CLIP	METAL	BLACK	5503137-1
HARDWARE	ALIGNMENT SLEEVE	COLOR	PART NUMBER

THIS DRAWING IS A CONTROLLED DOCUMENT FOR TYCO ELECTRONICS CORPORATION. IT IS SUBJECT TO CHANGE AND THE CONTROLLING ENGINEERING ORGANIZATION SHOULD BE CONTACTED FOR THE LATEST REVISION.		DWN B. BRIGGS 13MAY2005	Tyco Electronics Harrisburg, PA 17105-3608	
DIMENSIONS: mm		CHK S. MILLER 13MAY2005	NAME RECEPTACLE ASSEMBLY, DUPLEX, AMP SC TO BAYONET	
TOLERANCES UNLESS OTHERWISE SPECIFIED: 0 PLC ± 1 PLC ±0.1 2 PLC ±0.05 3 PLC ± 4 PLC ± ANGLES ± FINISH		APVD S. BUCHTER 13MAY2005	RESTRICTED TO	
MATERIAL		PRODUCT SPEC	SIZE A200779	CAGE CODE C-5503137
DRAWING NO 5503137		SCALE 4:1	SHEET 1 OF 1 REV D	